



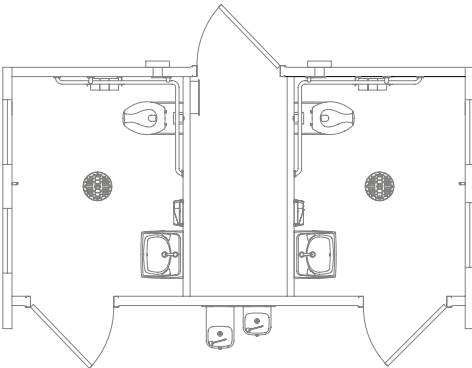
## CXT® PRECAST CONCRETE BUILDINGS

CXT manufacturers precast concrete restroom, shower, concession, and multipurpose buildings for national, state, and municipal parks. Our durable concrete structures are in use at federal, state, county, city, and private recreational sites nationwide.

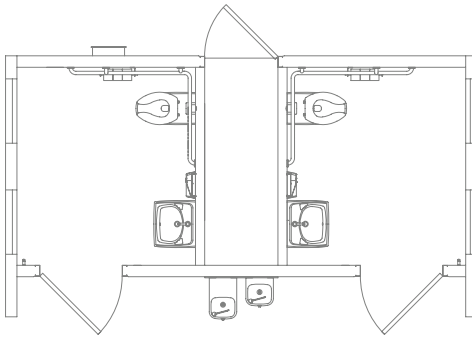
### SINGLE USER RESTROOMS



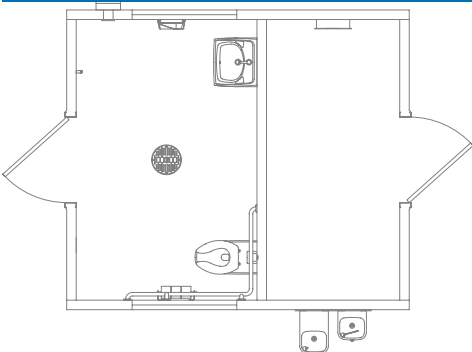
Cortez



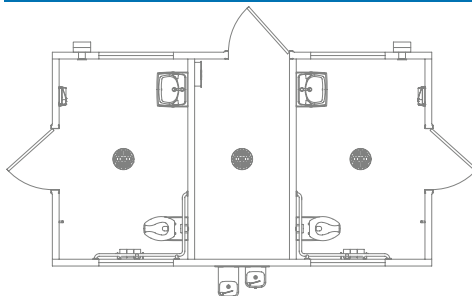
Denali



Ozark I



Ozark II



*Floor plans for reference only.*

#### SIMPLE TO INSTALL

Minimal site preparation is required and buildings can typically be in use on the day of installation.

#### READY TO USE

Prefabricated and delivered complete and ready to use, including plumbing and electrical where applicable.

#### EASY TO MAINTAIN

Our interiors are designed to resist abusive wear and can be quickly cleaned with warm soapy water and a brush.

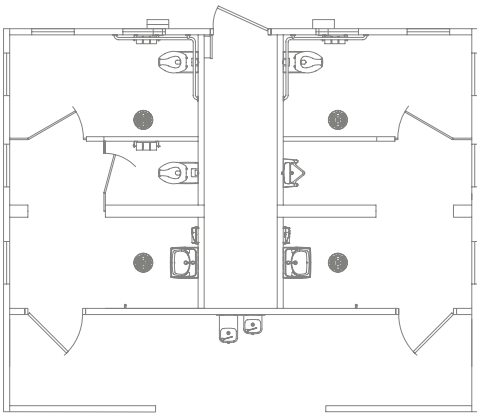
CXT buildings are delivered to your site ready to use and require minimal site preparation. Our structures are manufactured with high-strength precast concrete floors, walls, and roofs and are aesthetically designed in multiple floor plans, colors, and textures.

Our buildings can withstand extreme conditions caused by flood, snow, wind, and zone-4 seismic loads.

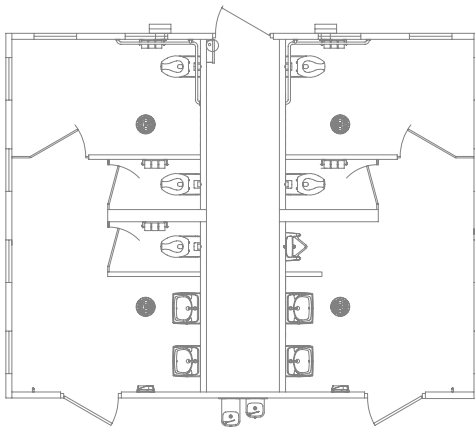
## MULTIUSER RESTROOMS



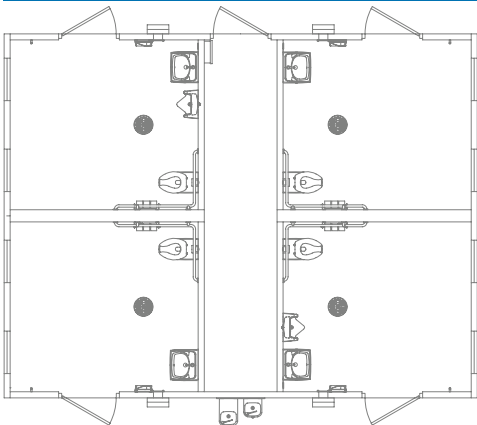
Montrose



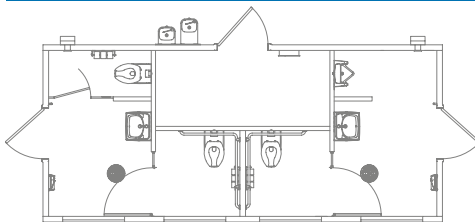
Taos



Arapahoe



Kodiak



Floor plans for reference only.

## UTILITIES

- > Pre-wired, pre-plumbed, and tested before shipping to meet local code requirements.
- > Concealed within the chase/storage area for easy hook up and maintenance, and to reduce vandalism.

## HOOK UP AND INSTALLATION

- > Minimal site work is required.
- > Water, sewage and electrical utility lines are stubbed up through the prepared base material to match up with the utility blockout within the floor of the chase area.
- > Hookup of the three utility lines can be completed in a matter of hours.

